

1

2

3

4

5

6

A

A

B

B

C

C

D

D

1

2

3

4

5

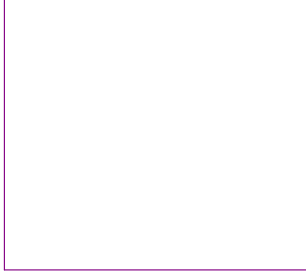
6

Nova_Amp_mod_1



Datei: Nova_Amp_mod_1.kicad_sch

Nova_Amp_mod_2



Datei: Nova_Amp_mod_2.kicad_sch

Original by StUe 04-2017
modified by CNe
imported from EAGLE Layout CAD

Sheet: /
File: Nova_Amp_mod.kicad_sch

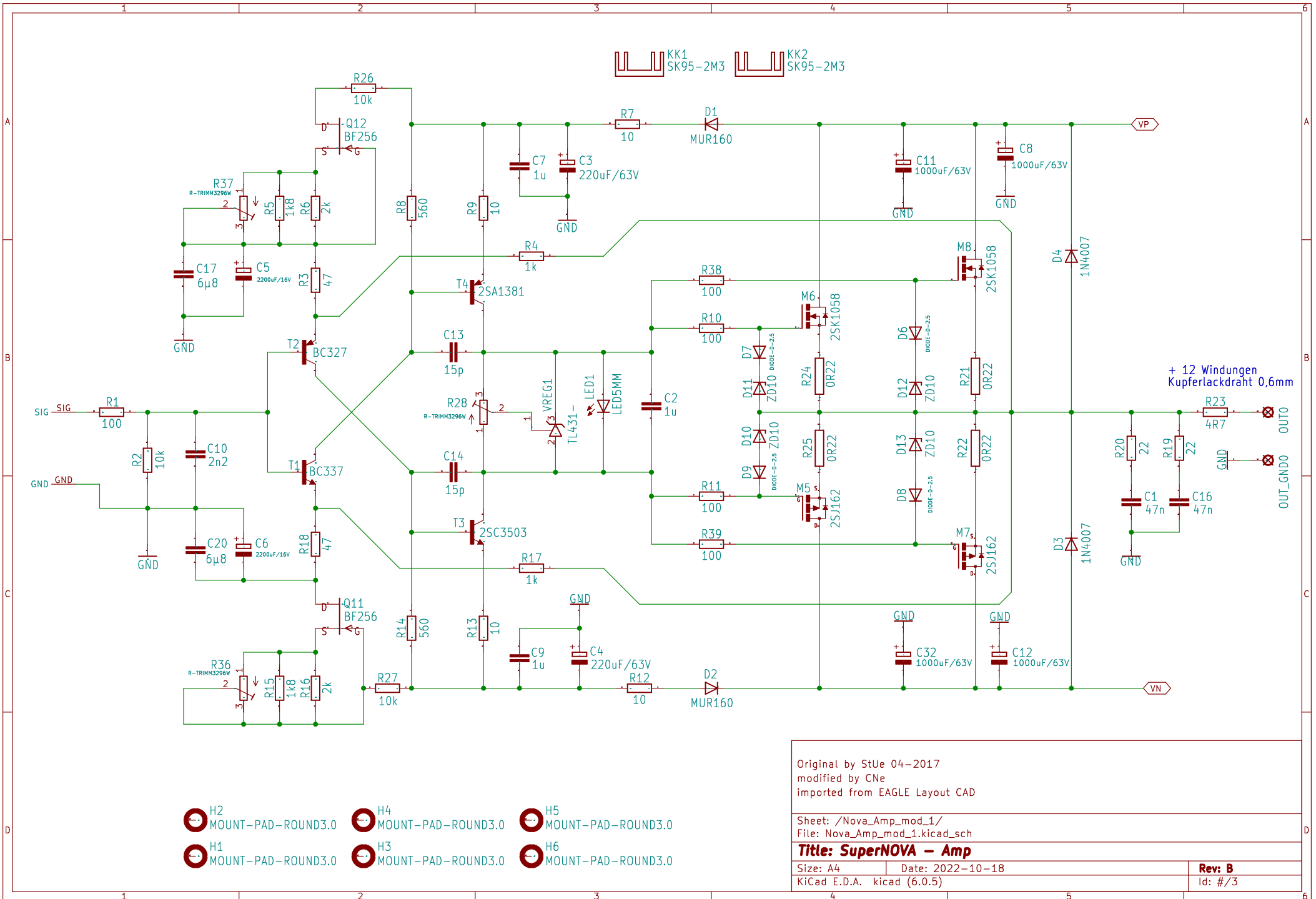
Title: SuperNOVA - Amp

Size: A4 Date: 2022-10-18

KiCad E.D.A. kicad (6.0.5)

Rev: B

Id: #/3




Original by StUe 04-2017
 modified by CNE
 imported from EAGLE Layout CAD

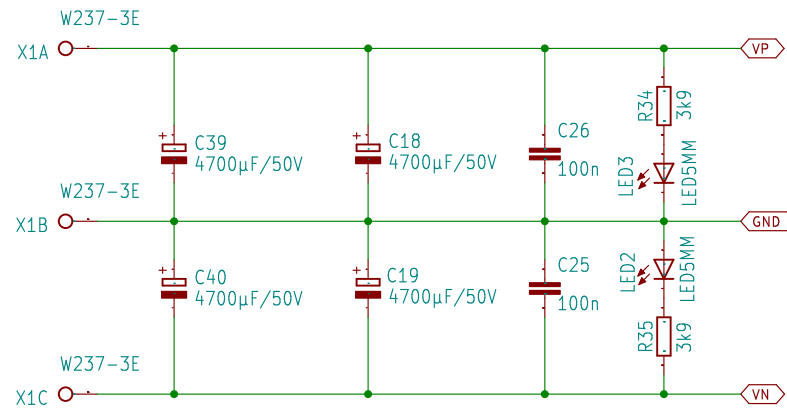
Sheet: /Nova_Amp_mod_1/
 File: Nova_Amp_mod_1.kicad_sch

Title: SuperNOVA - Amp

Size: A4 Date: 2022-10-18
 KiCad E.D.A. kicad (6.0.5)

Rev: B
 Id: #/3

-  H2
MOUNT-PAD-ROUND3.0
-  H4
MOUNT-PAD-ROUND3.0
-  H5
MOUNT-PAD-ROUND3.0
-  H1
MOUNT-PAD-ROUND3.0
-  H3
MOUNT-PAD-ROUND3.0
-  H6
MOUNT-PAD-ROUND3.0



Original by StUe 04-2017
 modified by CNe
 imported from EAGLE Layout CAD

Sheet: /Nova_Amp_mod_2/
 File: Nova_Amp_mod_2.kicad_sch

Title: SuperNOVA - Amp

Size: A4 Date: 2022-10-18
 KiCad E.D.A. kicad (6.0.5)

Rev: B
 Id: #/3